



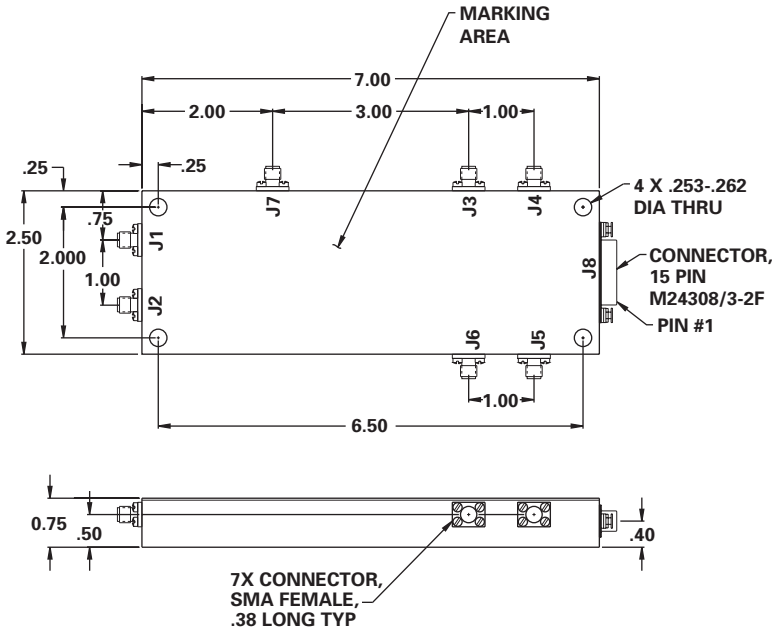
**MODEL NO.
100D9103**

Switch Input

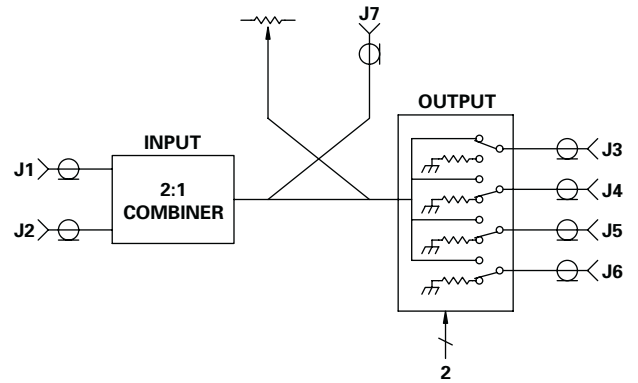
FEATURES

- 420 - 450 MHz
- 47 dB Directivity
- 100 dB Isolation
- Amplitude Tracking
- Phase Tracking

MFD



.xx = .02
.xxx = .010



GUARANTEED PERFORMANCE

Parameter	Min	Typ	Max	Units	Conditions
Operating Frequency	420		450	MHz	
DC Current		54	75	mA	At +15 VDC Supply
Control Type					
Control Current				µA	VIH = +2.7 V VIL = +0.5 V
Insertion Loss		4.3	4.7	dB	Output J3 to J6 Output J7
	13.0	13.5	14.0	dB	
Amplitude Tracking			±.50	dB	Port to Port Unit to Unit
			±.50	dB	
Isolation	90	110		dB	Switch Isolation
Isolation Combiner	20	33		dB	J1 to J2
Coupler Directivity	27	47		dB	
VSWR		1.12/1	1.2/1		
Impedance		50		OHMS	
Switching Speed			3.0	µSec	50% TTL to 90% / 10% RF
Transition (Rise/Fall) Time				nSec	90% / 10% or 10% / 90% RF
Switching (Video) Transients				V	Peak Value
Intercept Points		2nd		dBm	
		3rd		dBm	
RF Power		Operate	+19	dBm	
		No Damage	+22	dBm	
Operating Temperature	+15		+50	°C	TA

J8 HOOK-UP CHART

J8 PIN NO	BD NO.	FUNCTION
1	3	BIT 1 (+)
2	2	BIT 1 (-)
3	4	BIT 2 (+)
4	5	BIT 2 (-)
5		
6		
7		
8		
9		
10		
11		
12	7	GND
13	1	GND
14	6	+15V
15	J8-14	+15V

— JUMPED

CONTROL LOGIC TABLE (J8)

BIT 1 (MSB)		BIT 2 (LSB)		SELECTED PORT
PIN NUMBER	PIN NUMBER	PIN NUMBER	PIN NUMBER	
1	2	3	4	
LOW	HIGH	LOW	HIGH	3
LOW	HIGH	HIGH	LOW	4
HIGH	LO	LOW	HIGH	5
HIGH	LOW	HIGH	LOW	6